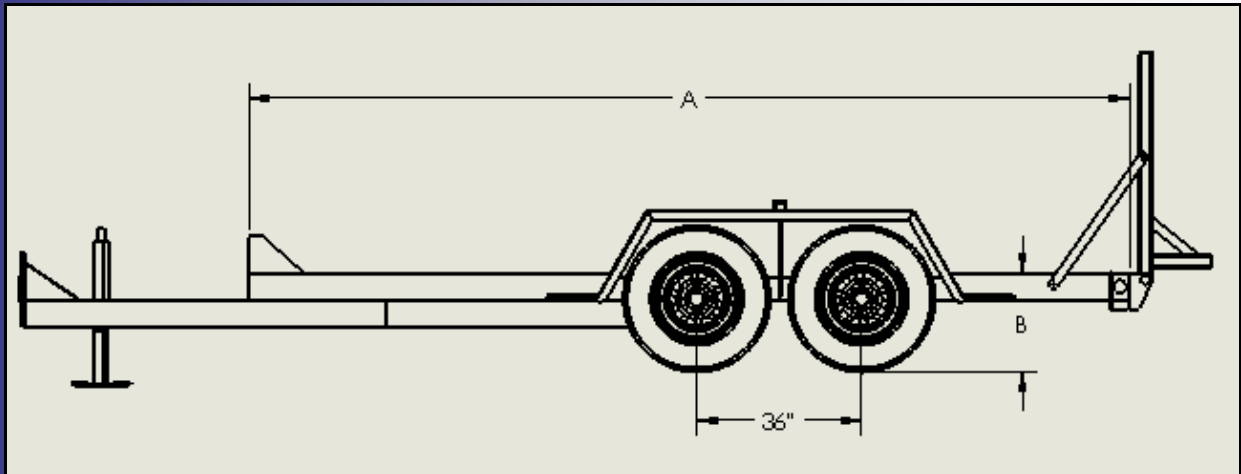




# E Series



Standard Features	Description
Length (A)	16 to 20 feet
Exterior Width	102 inches
Loading Width	78 inches
Pole Length	50 inches
Flooring	Spruce Lumber 1-5/8" thick
Jack	7K Topwind
Wiring	Sealed Harness
Lighting	LED
Finish	Epoxy Primer, Urethane Finish

Axles	Tires	LR	Rims	Trailer Height (B)	G.V.W.R.
Torflex 5200 lb	225/75R15	D	15" X 6"	22 inches	10000 lb
Torflex 6000 lb	235/85R16	E	16" X 6"	22 inches	12000 lb
Torflex 7000 lb	235/85R16	G	16" X 6"	22 inches	14000 lb